

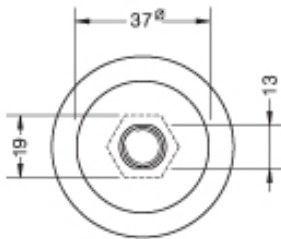
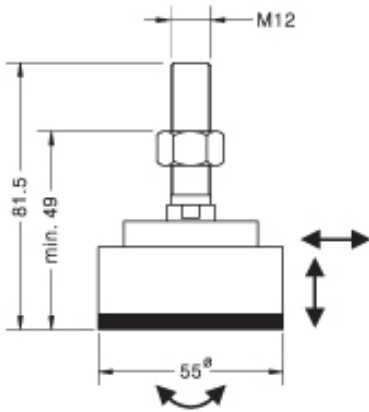
## Load cells

### Mounting kits

#### Load Foot

Load Foot Accessory for shear beam model

Materials: stainless steel and rubber



Dimensions in mm.

