

## Load cells

### Double ended shear beam

DDR



Suitable for weighing tanks and silos

ATEX (optional)

Approved 3000 division O.I.M.L. R60 C Class

Stainless steel

Fully welded airtight

IP68 Protection (EN 60529)

Easy to install

High linearity and low mechanical profile

High temperature version (optional)

3 ton version -NO OIML, NO ATEX

### TECHNICAL CHARACTERISTICS DDR

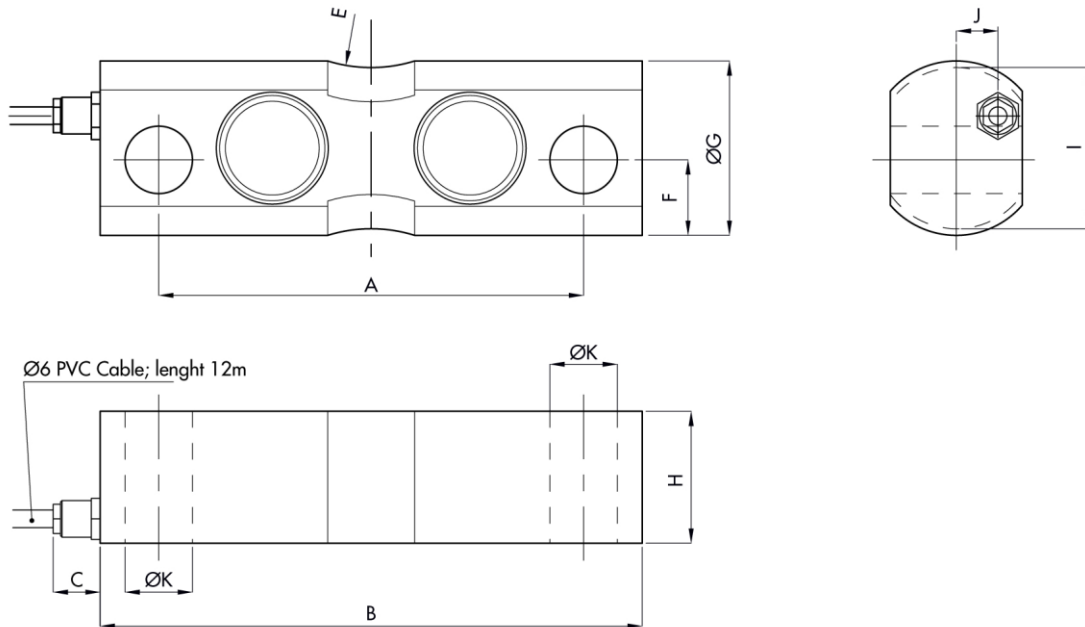
Rated load (R.L.):	3 ton (NO OIML), 5, 10, 20, 30, 50, 75, 100 ton
Combined error:	< ±0.017% of R.O.
Repeatability	< ±0.015% of R.O.
Creep (20 minutes):	< ±0.016% of R.L.
Safe overload:	150% of R.L.
Ultimate overload:	300% of R.L.
Recommended input:	5÷15 Vdc/Vac
Input resistance:	800 ± 20 Ohm
Output resistance:	700 ± 3 Ohm
Insulation resistance:	> 5000 M Ohm
Rated output (R.O.):	2 ± 0.1% mV/V
Zero balance:	< ±2% of R.O.
Temperature range:	-30 ÷ +70 °C
Compensated temperature range:	-10 ÷ +40°C
Temp. effect on zero balance:	< ±0.010% of R.O./5°K
Temp. effect on output:	< ±0.006% on output/5°K
Max load deflection	0.6÷1 mm
Degree of protection:	IP68
Material:	Stainless steel
Electrical connection:	6 conductors shielded cable; length 12 m
Precision class:	3000 n. OIML



## Load cells

Double ended shear beam

DDR



Electrical Connections	
+Excitation	Green
-Excitation	Black
+Sense	Blue
-Sense	Yellow
+Signal	Red
-Signal	White
Shield	Cable Shield

CAPACITY	A	B	C	D	E	F	ØG	H	ØI	J	ØK	WEIGHT
5-20t	145	185	16	41	r.50	25.7	59.5	45	55	14	23	3.2kg
30-50t	220	285	16	48	r.50	29.7	74.5	60	66	22	30	8kg
75-100t	260	340	16	66	r.50	37.2	99.5	80	91	32	50	14.3kg