

Load cells

Universal load cells

CS30



Engineered for fiscal and industrial weighing of small tanks and hoppers

Excellent linearity and precision

Overload capability greater than 300%

Made of stainless steel

Watertight protection for use in harsh environments

Also available in special versions for High Temperature

TECHNICAL CHARACTERISTICS CS30

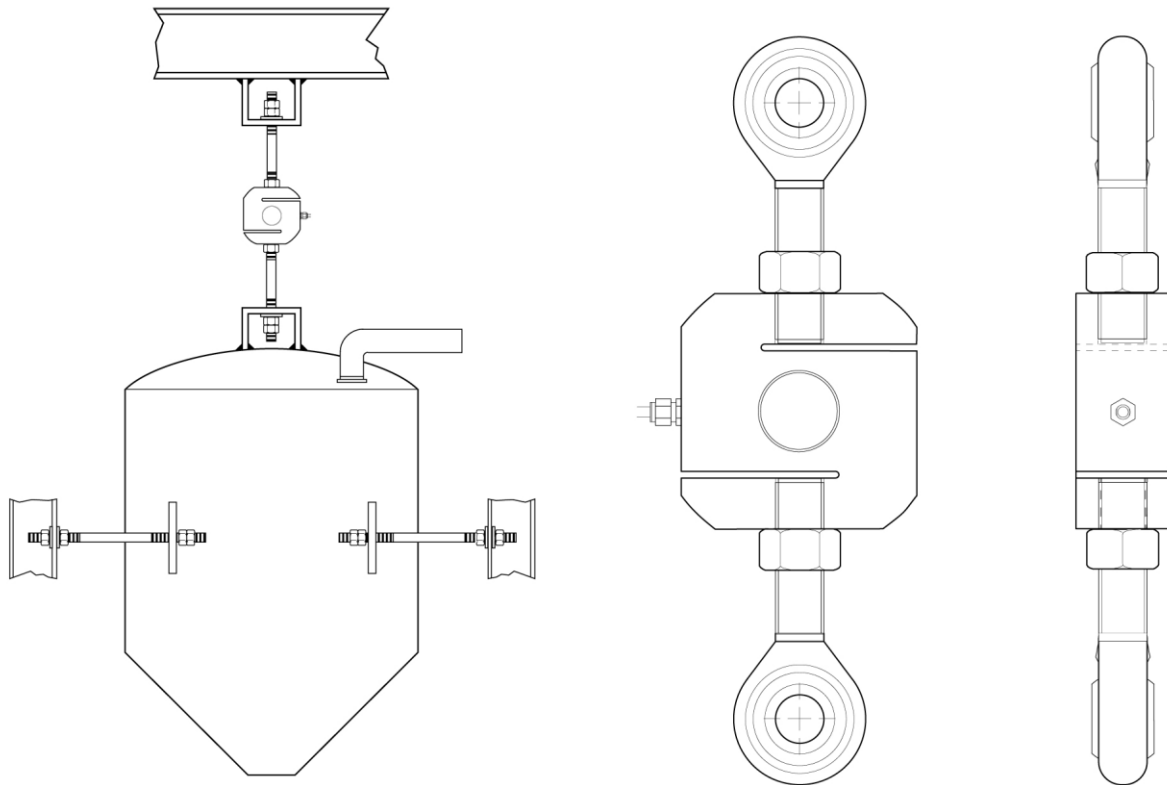
Rated load (R.L.):	0.5, 1, 2, 3, 4, 5, 6, 7.5 t
Combined error:	< ±0.02% of RO
Repeatability:	< ±0.01% of RO
Creep (30 minutes):	±0.02% of RL
Safe overload:	150% of RL
Maximum overload:	300% of RL
Recommended input:	5÷12 Vdc/Vac
Input resistance:	350 ± 3.5 Ohms
Output resistance:	351 ± 2.0 Ohms
Insulation resistance:	> 5000 M Ohms
Rated output (R.O.):	2 ± 0.004% mV/V
Zero balance:	< ±1.5% of RO
Temperature range:	-35 ÷ +65 °C
Compensated temperature range:	-10 ÷ +40 °C
Temperature effect on zero balance:	< ±0.01% of RO/5°K
Temperature effect on output:	< ±0.006% on output/5°K
Max load deflection:	0.2÷0.4 mm
Degree of protection:	IP68
Material:	Stainless steel
Electrical connection:	4 conductors shielded cable; length 6m (3m 0,5t)
Precision class:	3000 n. OIML
ATEX certified version:	II1G Ex ia II1C T4; II1D Ex iaD20T73°C; II3G nL ia II C T4



Load cells

Universal load cells

CS30



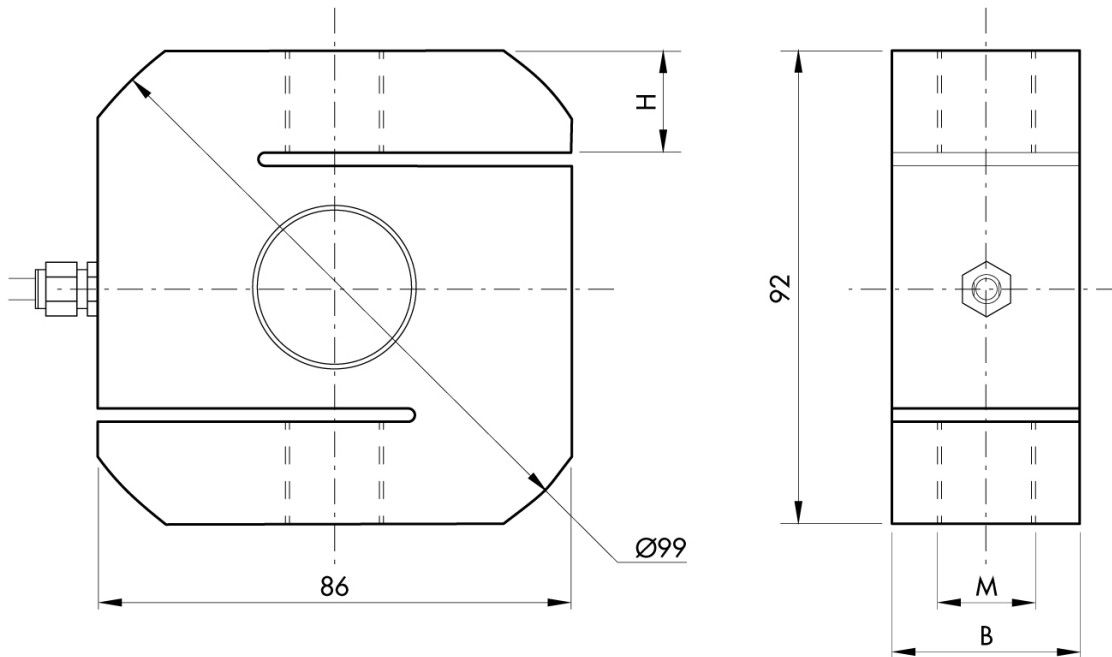
Electrical Connections

+Excitation	Red
-Excitation	Black
+Sense	Blue
-Sense	Brown
+Signal	Green
-Signal	White
Shield	Cable Shield

Load cells

Universal load cells

CS30



RANGE	0.5	1	2	3	4	5	6	7.5
B	32	32	32	32	36	50	50	50
M	M12x1.75	M12x1.75	M20x1.5	M20x1.5	M20x1.5	M24x2	M24x2	M24x2
H	25	25	25	25	25	24	24	24