

Load cells

Universal load cells

CS20



Engineered for fiscal and industrial weighing of small tanks and hoppers

Excellent linearity and precision

Overload capability greater than 300%

Made of nickel plated steel

Watertight protection for use in harsh environments

Also available in special versions for High Temperature

TECHNICAL CHARACTERISTICS CS20

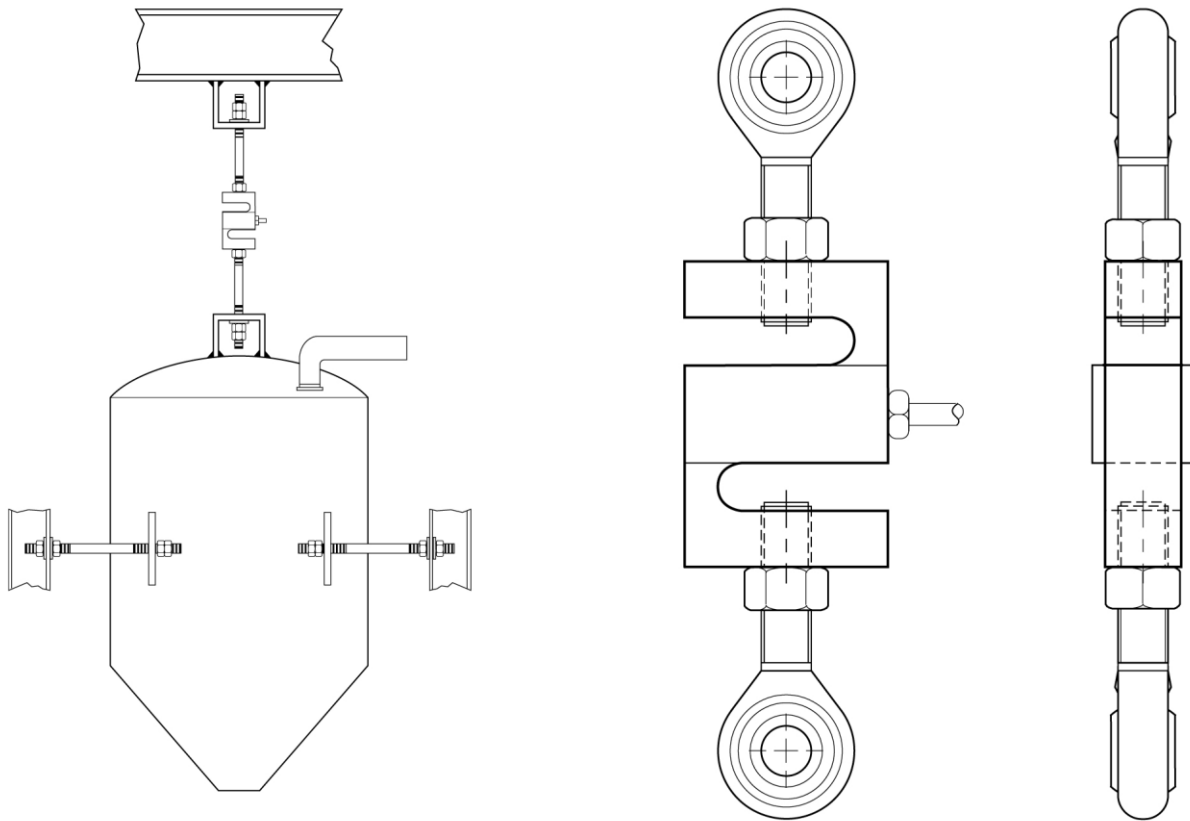
Rated load (R.L.):	25, 50, 100, 150, 200, 250, 300, 500, 600, 750, 1000 Kg 1.5, 2, 2.5, 3, 5, 7.5, 10, 15, 20, 30 †
Combined error:	< ±0.02% of R.O.
Repeatability:	< ±0.01% of R.O.
Creep (30 minutes):	±0.02% of R.L.
Safe overload:	150% of R.L.
Maximum overload:	300% of R.L.
Recommended input:	5÷12 Vdc/Vac
Input resistance:	350 ± 3.5 Ohm
Output resistance:	351 ± 2.0 Ohm
Insulation resistance:	> 5000 M Ohm
Rated output (R.O.):	2 ± 0.004% mV/V
Zero balance:	< ±1.5% of R.O.
Temperature range:	-35 ÷ +65 °C
Compensated temperature range:	-10 ÷ +40 °C
Temperature effect on zero balance:	< ±0.01% of R.O. /5°K
Temperature effect on output:	< ±0.006% on output/5°K
Max load deflection:	0.2÷0.4 mm
Degree of protection:	IP67
Material:	Nickel steel
Electrical connection:	4 conductors shielded cable; length 3 m; 6 m
Precision class:	3000 n. OIML only for carrying capacity from 100 to 2500kg
ATEX certified version:	II1G Ex ia III C T4; II1D Ex iaD20T73°C; II3G nL ia II C T4



Load cells

Universal load cells

CS20



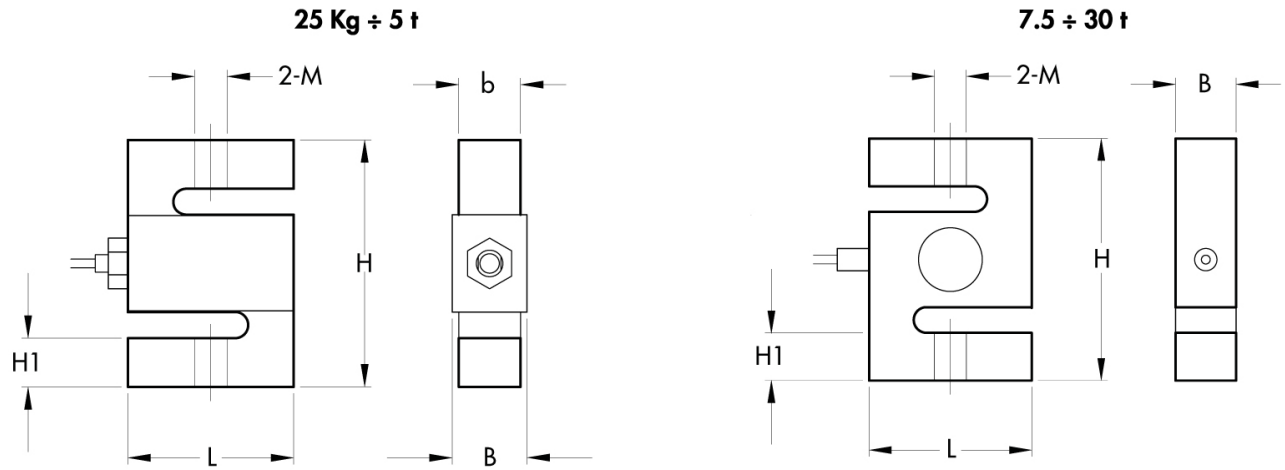
Electrical Connections

+Excitation	Red
-Excitation	Black
+Signal	Green
-Signal	White
Shield	Cable Shield

Load cells

Universal load cells

CS20



CAPACITY	L	H	b	B	M	H1
25-50 kg	50.8	76.2	12.7	14.5	M8	15.7
100-150 kg	50.8	76.2	19.0	20.8	M10x1.5	15.3
200-750 kg	50.8	76.2	19.0	20.8	M12x1.75	13.6
1-1.5 t	50.8	76.2	25.4	27.2	M12x1.75	12.1
2-5 t	76.2	101.6	25.4	27.2	M20x1.5	20.0
7.5-10 t	125	175	/	50	M33x3	40.2
15-20 t	160	200	/	60	M42x3	51.0
30 t	190	230	/	80	M42x3	57.5