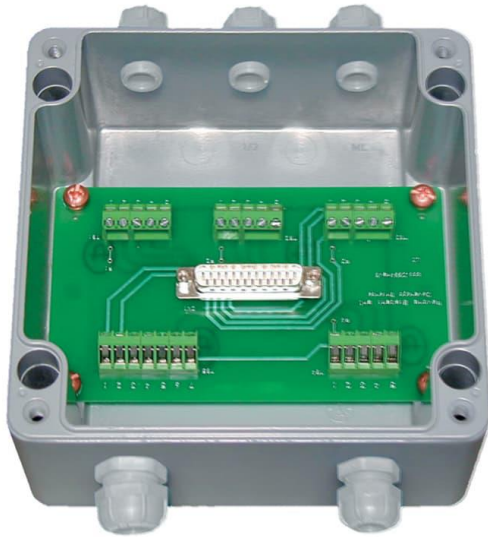


## Accessories

### Junction boxes

#### CGS4-C



Aluminum case

Stainless steel case (option)

IP66

Connector for rapid connection to our 1008 Tester for the load cells

### TECHNICAL CHARACTERISTICS CGS4-C

Temperature range:	-10 ÷ +50 °C
Storage temperature:	-20 ÷ +70 °C
Electrical connection:	Terminal screw pass 5 mm
Dimensions:	160 x 160 x 90 mm (L x H x D)
Drilling template:	140 x 110 mm (L x H)




## Accessories

Junction boxes

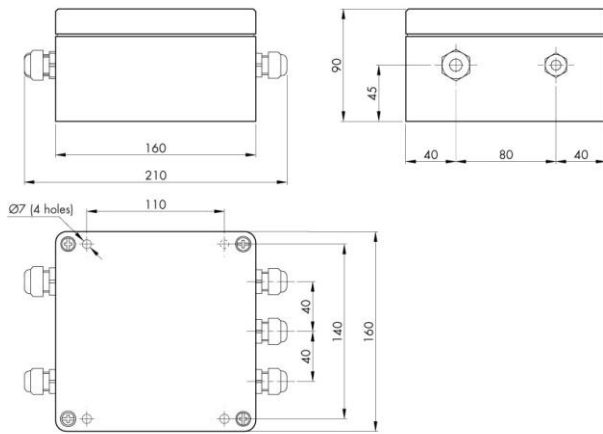
CGS4-C



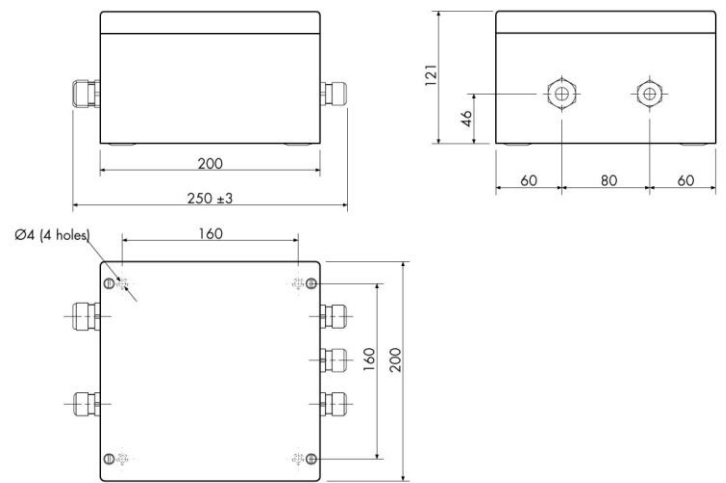
## Accessories

### Junction boxes

#### CGS4-C



Aluminium housing



Stainless Steel housing

#### LOAD CELLS COLOUR CODE

+Excitation	Red	Red/Green	Red	Red/Blue
-Excitation	Black	Black	White	Black/Brown
+Signal	Green	Green/White	Green	Green
-Signal	White	Red/White	Blue	White
Shield	Shield	Shield	Shield	Shield
	SENSORTRONICS	NOBEL	MINEBEA	PAVONE