

## Load cells

### Compression load cells

#### CC3



The CC-3 load cell has been designed to meet the requirements of a wide range of applications for industrial weighing.

ATEX (option)

Double bridge version, exit 8-conductor shielded cable (option)

The low profile pattern and small-size dimensions require a very contained mounting space

Good characteristics of precision and sturdiness

The CC-3 is made of stainless steel to ensure maximum impact and overload resistance.

Temperature compensation up to 120°C on request

#### TECHNICAL CHARACTERISTICS CC3

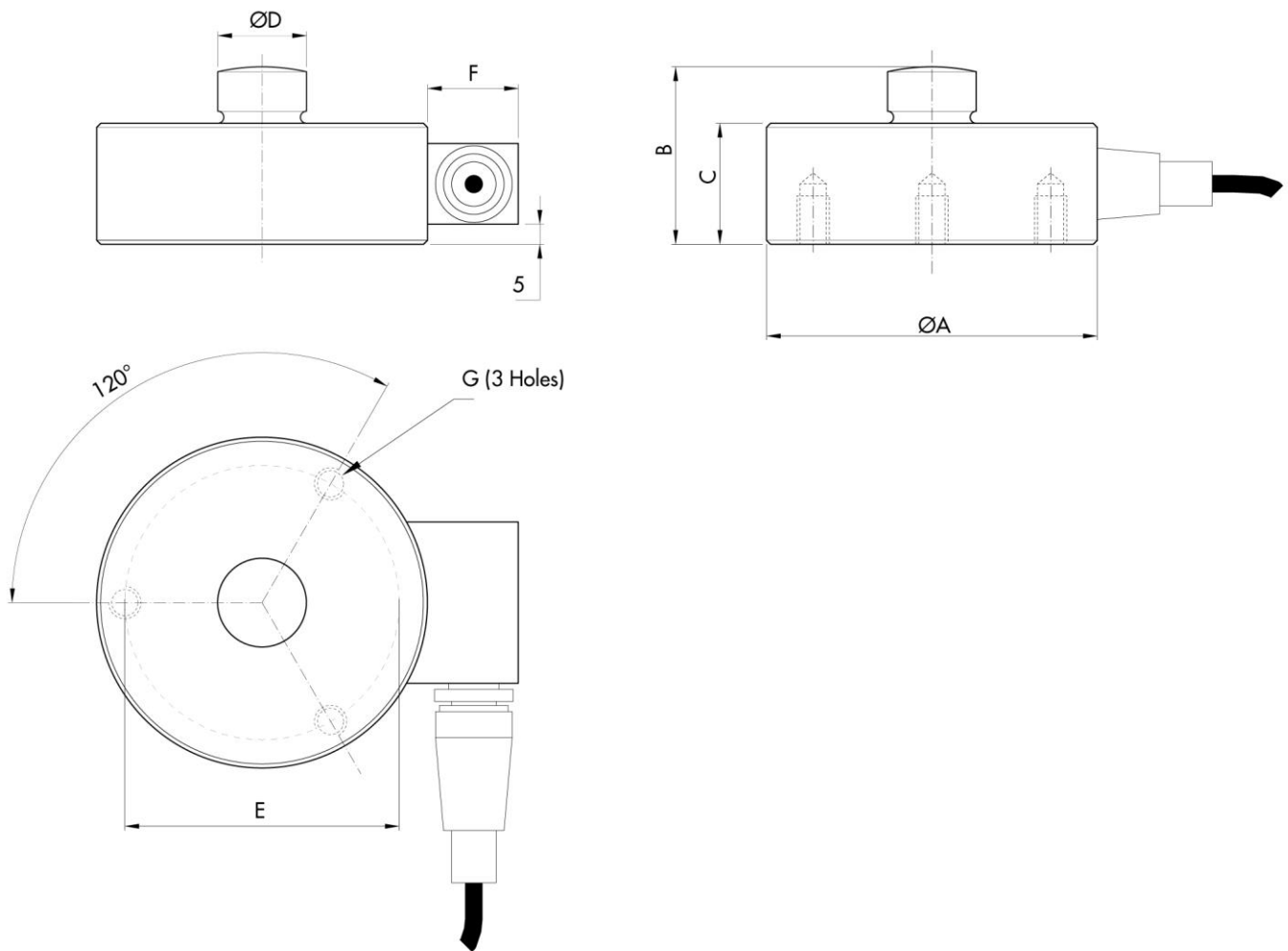
<b>Rated load (R.L.):</b>	0.1÷10, 15, 20, 25, 35, 50, 100, 200 t
<b>Combined error:</b>	< ±0.05% of R.O.
<b>Repeatability:</b>	±0.02% of R.O.
<b>Creep (20 minutes):</b>	< ±0.02% of R.O.
<b>Safe overload:</b>	150% of R.L
<b>Ultimate overload:</b>	300% of R.L.
<b>Recommended input:</b>	5÷15 Vdc/Vac
<b>Input resistance:</b>	700 ±10 Ohm
<b>Output resistance:</b>	700 ± 3 Ohm
<b>Insulation resistance:</b>	> 2000 M Ohm
<b>Rated output (R.O.):</b>	2.0 mV/V
<b>Zero balance:</b>	< ±1% of R.O.
<b>Temperature range:</b>	-20 ÷ +70 °C
<b>Compensated temperature range:</b>	-10 ÷ +50°C
<b>Temp. effect (-10° to +50°C) on zero balance:</b>	0.003% of R.O./°C
<b>Temp. effect (-10°C to +50°C) on output:</b>	0.002% on output/°C
<b>Electrical connection:</b>	4 conductors shielded cable; length 5 m
<b>Protection Degree:</b>	IP 68



## Load cells

Compression load cells

CC3



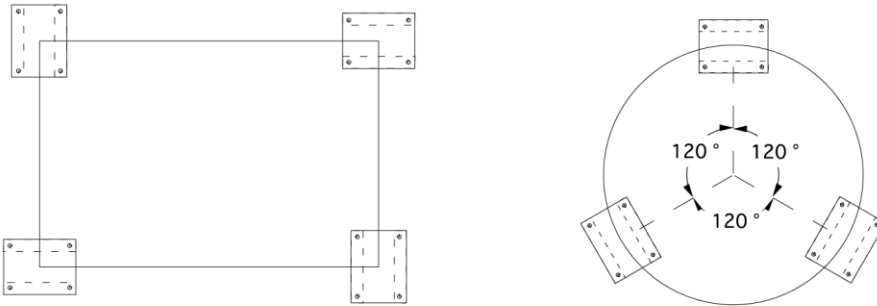
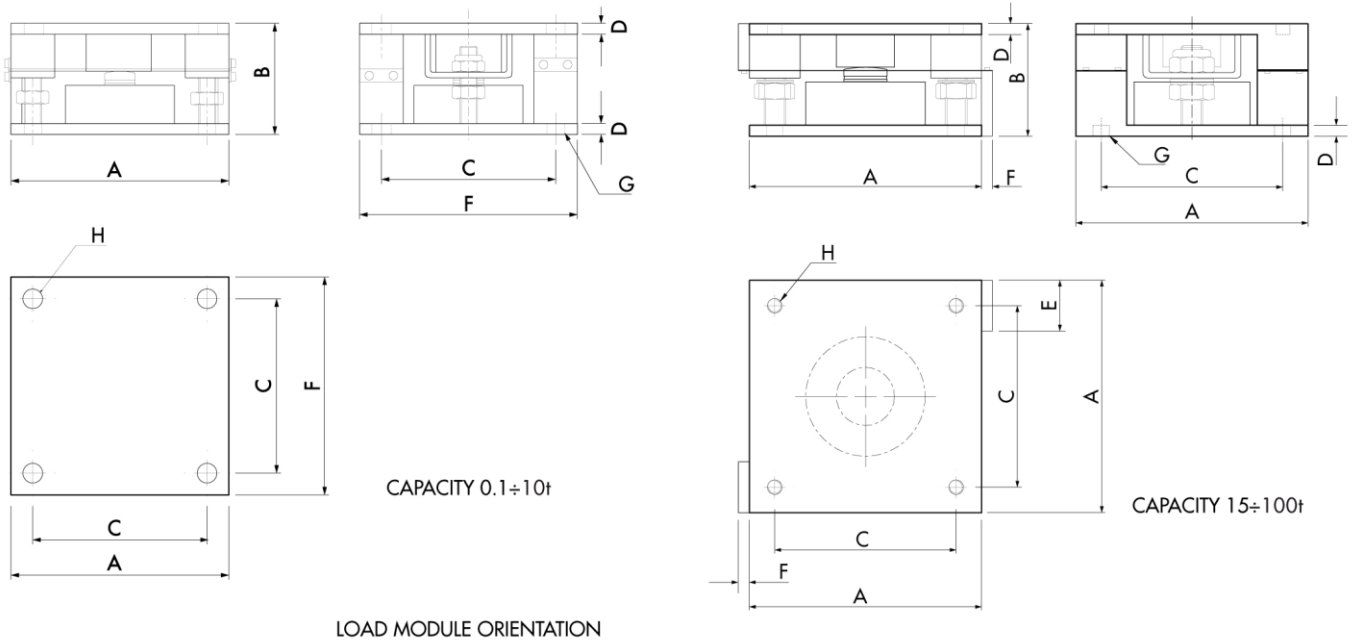
CAPACITY	ØA	B	C	ØD	ØE	F	G
0.1÷10t	82	44	32	22	70	22	M8x15
15÷20t	100	48	35	28	80	22	M10x15
25÷35t	126	54	40	35	105	22	M12x20
50÷100t	165	85	60	60	130	22	M16x20
200t	200	85	60	85	165	22	M16x20

Electrical Connections	
+Excitation	Red
-Excitation	Black
+Signal	Green
-Signal	White
Shield	Cable Shield

## Load cells

Compression load cells

CC3



CAPACITY	A	B	C	D	E	F	G	H
0.1÷10t	175	95	115	10	-	150	14	M12
15÷20t	200	102	160	10	35	12	17	M12
25÷35t	250	132	185	12.5	61	12	20	M18
50÷100t	320	155	250	15	70	15	23	M20